

Sertain™ HILO Care Chair - Bariatric

Versatile in design and function, our Sertain HILO Care Chair is a popular choice for many wards including intensive care units. The HILO function of the chair is a nurse's dream, allowing you to adjust the height of the chair to a position comfortable to assist the patient. Our bariatric version is designed to cater to a safe working load of up to 350kg.



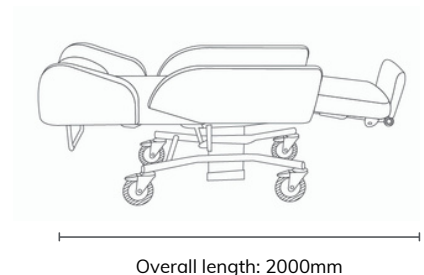
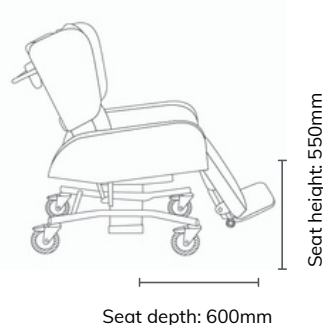
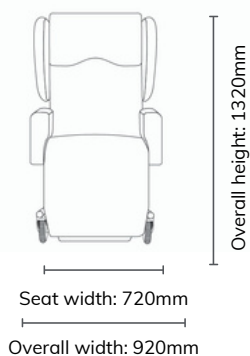
Features

- Electric 4 function (backrest, seat tilt, HILO seat & leg rest)
- Auto lay flat and auto chair function
- Multicush pressure management seating system
- 2 position swing-away head wings
- Removable armrest
- Hi-Low Range: 550 - 850mm high
- Including push handle
- 4x 100mm swivel braking castors
- 350kg SWL
- Manufactured in Australia
- 5 year limited warranty

Further Options

- Oxy Bottle and IV Kit option
- Layflat Support Bar option
- Procedure Tray Arm option
- Drop Arm option
- Central Locking Base option

Specifications



Model Options

Sertain HILO Care Chair (NT Arm) **S4540D.X.NT**