

Bariatric Complex™ Mobile Sitting Chair

Our Bariatric Complex™ Mobile Sitting Chair helps patients and residents to maintain social interaction on their journey. It's easy to maneuver and specifically designed to fit under many dining tables while assisting patients in maintaining good posture.



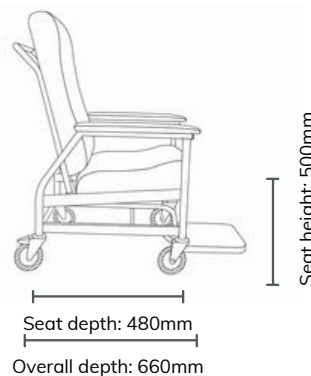
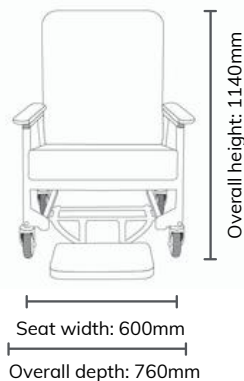
Features

- Powdercoated steel frame
- Slide-out moulded footplate
- 125mm castors for braking, tracking and swivelling
- 200kg safe working load
- Option to upgrade to gel seat for pressure care
- Available in a huge range of Healthcare grade upholstery colours
- Australian made

Accessories

- Standard meal/activity tray with PVC edge
- Membrane pressed meal/activity tray with recessed top

Specifications



Model Options

Complex Mobile Sitting Chair: **CF16101**

Complex Mobile Sitting Chair Bariatric: **CF16301**